

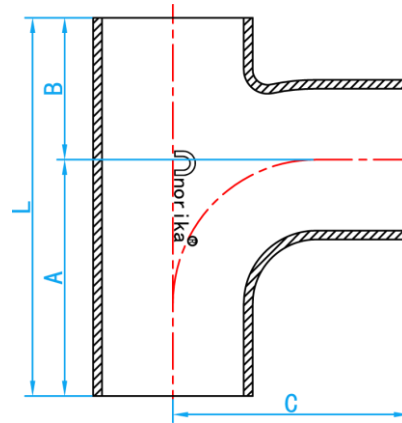
ZPC - EPOXY AND ZINC COATED CAST IRON HUBLESS BRANCH TEE 88°



COMPLY WITH BS EN877: 2021
BS EN 598: 2007

COATING CHARACTERISTIC

| ITEM | LAYERS | THICKNESS |
|------|------------------------|---|
| 1 | Internal Coating | Min. 250µm |
| 2 | A Lay Of Metallic Zinc | 130g/m ² |
| 3 | External Coating | Average thickness ≥70µm, local minimum thickness not less than 50µm |



CROSS SECTIONAL VIEW

*Availability upon request

DIMENSIONS

| SKU | DN (mm) | A (mm) | B (mm) | L (mm) | C (mm) | WEIGHT (kg) |
|--------------|----------|--------|--------|--------|--------|-------------|
| HUBZET050 | 50X50 | 79 | 66 | 145 | 80 | 1.08 |
| HUBZRT08050 | 75X50 | 95 | 85 | 180 | 90 | 1.6 |
| HUBZET080 | 75X75 | 95 | 85 | 180 | 90 | 1.61 |
| HUBZRT10050 | 100X50 | 94 | 76 | 170 | 105 | 2.00 |
| HUBZRT10080 | 100X75 | 105 | 90 | 195 | 110 | 2.65 |
| HUBZET100 | 100X100 | 115 | 105 | 220 | 120 | 2.60 |
| HUBZRT12550 | 125X50* | 98 | 82 | 180 | 120 | 3.0 |
| HUBZRT12580 | 125X75* | 110 | 94 | 205 | 125 | 3.4 |
| HUBZRT125100 | 125X100* | 125 | 110 | 235 | 130 | 4.0 |
| HUBZRT150050 | 150X50 | 100 | 100 | 200 | 140 | 3.78 |
| HUBZRT150080 | 150X75 | 110 | 110 | 220 | 145 | 5.0 |
| HUBZRT150100 | 150X100 | 130 | 115 | 245 | 145 | 4.95 |
| HUBZRT150125 | 150X125* | 147 | 128 | 275 | 150 | 6.2 |
| HUBZET150 | 150X150 | 158 | 142 | 300 | 155 | 5.86 |
| HUBZRT200100 | 200X100 | 144 | 126 | 270 | 175 | 7.40 |
| HUBZRT200150 | 200X150 | 173 | 152 | 325 | 185 | 9.00 |
| HUBZET200 | 200X200 | 202 | 178 | 380 | 195 | 12.8 |
| HUBZRT250100 | 250X100 | 165 | 147 | 312 | 210 | 13.3 |
| HUBZRT250150 | 250X150 | 195 | 160 | 355 | 230 | 19.3 |
| HUBZRT250200 | 250X200 | 205 | 200 | 405 | 240 | 21.0 |
| HUBZET250 | 250X250 | 250 | 220 | 470 | 240 | 24.5 |
| HUBZET300 | 300X300 | 300 | 266 | 566 | 300 | 38.0 |

Notes: The tolerance for Weight is ± 10%.